

Order Code:

RG I 04 (GCR 10)

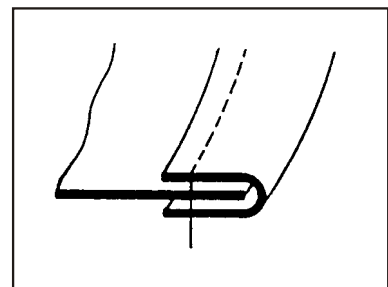
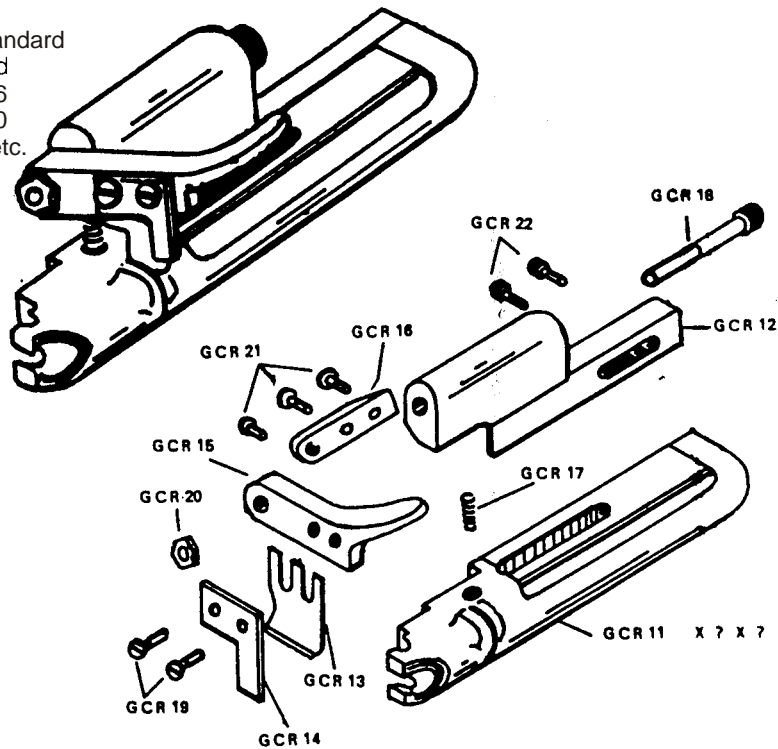
Description:

SINGLE FOLD SHELL BINDING GUIDE TO SUIT WALKING FOOT MACHINE, WITH CUT AND RE-THREAD FACILITY

Available in:

EXTRA LIGHT, LIGHT, MEDIUM, MEDIUM HEAVY

Will fit as standard
PFAFF 335d
SINGER 196
NECCHI 840
ALDER 96 etc.



Recommended Sizes

Start Size
mm

10
11
12
13
14
15
16
17
18
19
20

Comments

- RG I 04 is simple to use, cut and re-thread attachment cuts a neat finish, and is easy to re-thread ready for the next component.
- Only suitable for firm bindings such as leather, plastic etc. it will also do straight runs or tight curves.
- STATE MACHINE TYPE AND MODEL NUMBER