

Order Code:

RG I 05 (40452)

Description:

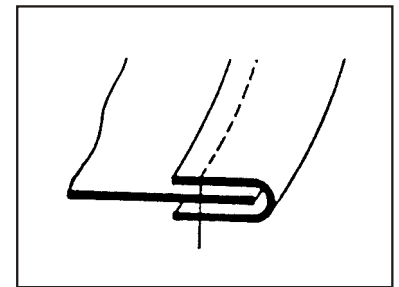
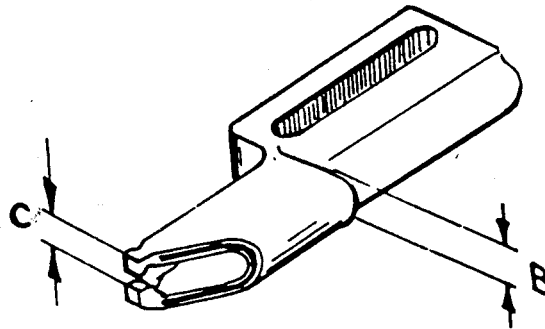
STANDARD SINGLE FOLD SHELL BINDING GUIDE FOR WALKING FOOT MACHINE

Available in:

EXTRA LIGHT, LIGHT, MEDIUM, MEDIUM HEAVY

40452 "A"

For machines
SINGER 196-17
NECCHI 840
ALDER 69E
SINGER 169
SINGER 108W



Recommended Sizes

Start Size mm	
7	21
8	22
9	23
10	24
11	25
12	26
13	27
14	28
15	29
16	30
17	31
18	32
19	33
20	34
	35
	36
	37
	38
	39
	40

Comments

- RG I 05 the most widely used of all binding attachments on walking foot machines.
- RG I05 or (40452) can be used on flat bed walking foot machines with binding parts fitted, or on a cylinder arm binding machine.
- Many other sizes can be manufactured other than recommended sizes.