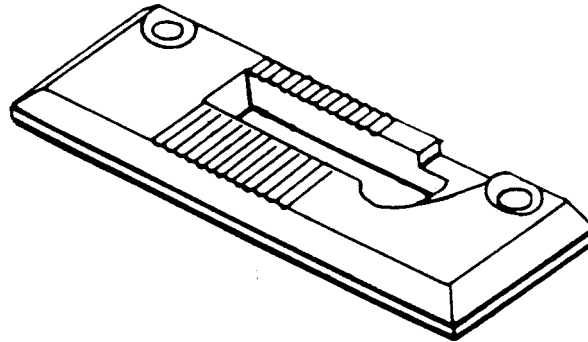


Order Code:

RG I 08

Description:

NEEDLE PLATE FOR FLAT BED WALKING FOOT MACHINE



Recommended Sizes

Start Size
mm

**NOT
APPLICABLE**

Comments

- RG I 08 this needle plate is a raised plate with a cut out to accept shell binders and comes as part of a set of binding parts including inner foot, outer foot, raised feed, raised plate, shell binder and mounting slide plate.
- To suit flat bed walking foot machines
- STATE MACHINE TYPE AND MODEL NUMBER