

Order Code:

RG I 09

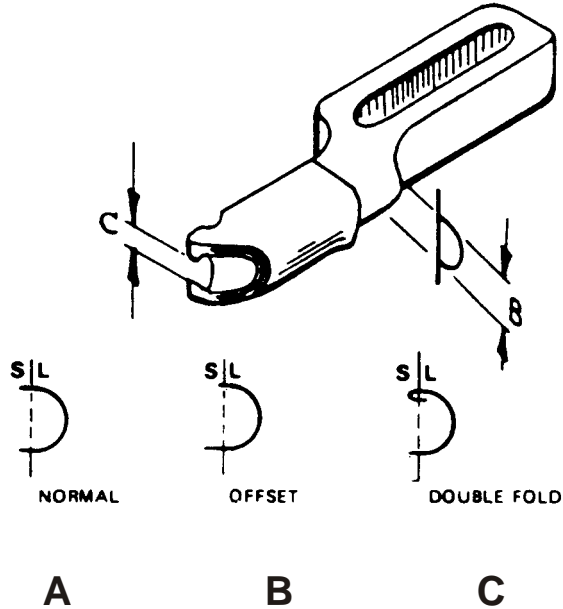
Description:

SMALL SHELL BINDER TO SUIT 47W66 SINGER MACHINE

Available in:

EXTRA LIGHT, LIGHT, MEDIUM, MEDIUM HEAVY

47 W 66 SINGER



Recommended Sizes

Start Size
mm

7
8
9
10
11
12
13
14
15
16
17
18
19
20

Comments

- RG I 09 shell binder is manufactured to suit the Singer 47 W 66 machine and is available in various fold formations as shown in diagram parts a,b and c.
- It is manufactured to suit mainly small tape sizes.
- State mouth clearance required when ordering
- STATE MACHINE TYPE AND MODEL NUMBER