

**Order Code:**

**RG I 11 (40414)**

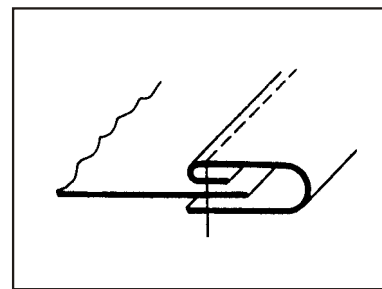
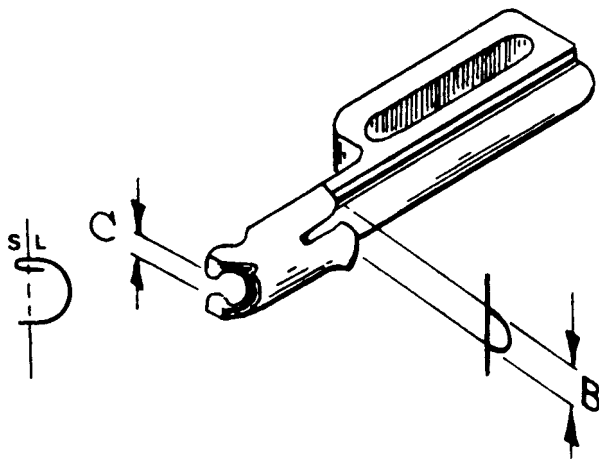
**Description:**

STANDARD DOUBLE TOP FOLD SINGLE BOTTOM FOLD SHELL BINDING GUIDE FOR WALKING FOOT MACHINE

**Available in:**

EXTRA LIGHT, LIGHT, MEDIUM, MEDIUM HEAVY

For machines  
PFAFF 335  
NECCHI 840  
ALDER 69  
SINGER 169  
SINGER 108W



**Recommended Sizes**

**Comments**

Start Size mm	
7	21
8	22
9	23
10	24
11	25
12	26
13	27
14	28
15	29
16	30
17	31
18	32
19	33
20	34
	35
	36
	37
	38
	39
	40

- RG I 11 is used on walking foot machines  
RG I 11 or 40414 can also be used on flat bed walking foot machines with binding parts fitted, or on a cylinder arm binding machine.
- STATE MACHINE TYPE AND MODEL NUMBER