

Order Code:

RG I 13 (53444)

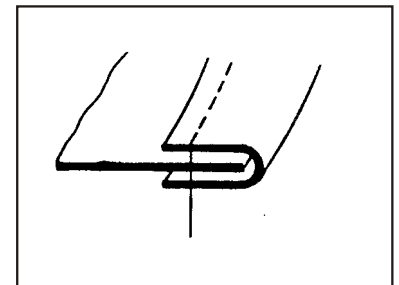
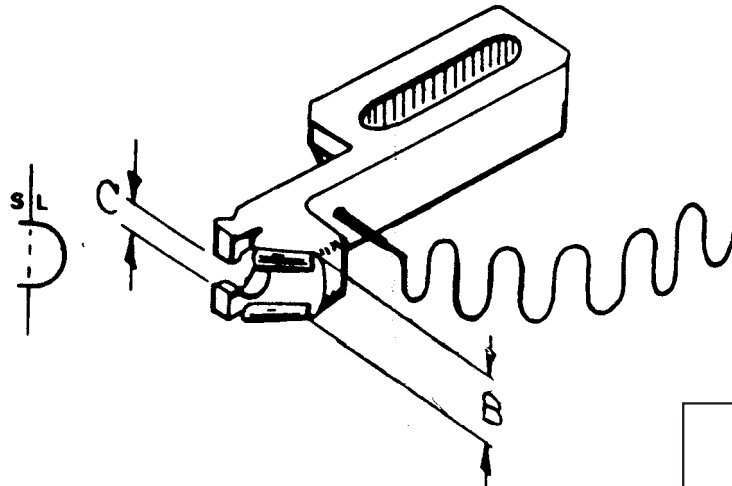
Description:

SINGLE FOLD BINDER FOR WALKING FOOT MACHINES

Available in:

EXTRA LIGHT, LIGHT, MEDIUM, MEDIUM HEAVY, HEAVY

For machines
PFAFF 335
NECCHI 840
ALDER 69
SINGER 169
SINGER 108W



Recommended Sizes

Start Size
mm

7	21
8	22
9	23
10	24
11	25
12	26
13	27
14	28
15	29
16	30
17	31
18	32
19	33
20	34
	35

Comments

- RG I 13 or 53444 is used for straight runs or slight curves, and gives less drag on the binding than a right angle shell binder such as RG I 05
- State mouth width when ordering (fig. c in diagram)
- STATE MACHINE TYPE AND MODEL NUMBER