

Order Code:

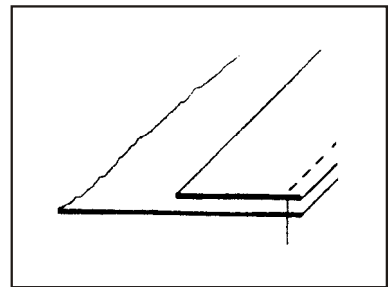
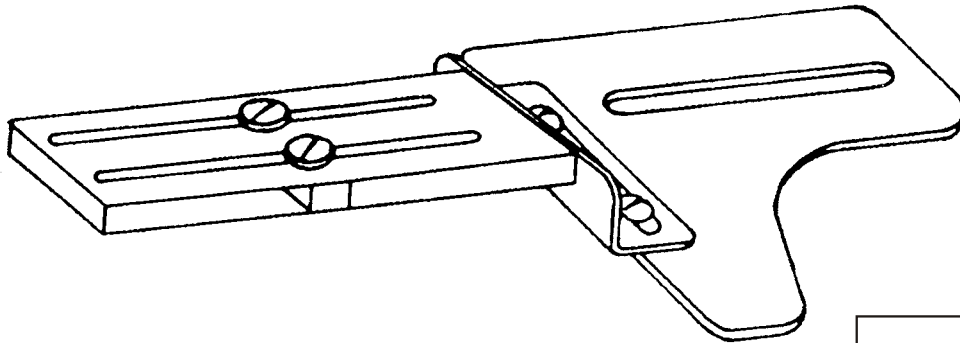
RG L 04 and RG L 04(B)

Description:

ADJUSTABLE TAPE GUIDE

Available in:

EXTRA LIGHT, LIGHT, MEDIUM, MEDIUM HEAVY, HEAVY



Recommended Sizes

ADJUSTMENT

RG L 04

5mm - 50mm

RG L 04(B)

45mm - 110mm

Comments

- RG L04 adjustable tape guide will fit many machines, chainstitch, lockstitch or flat bed fits to the brackets RG N13 and RG N14
- STATE MACHINE TYPE AND MODEL NUMBER